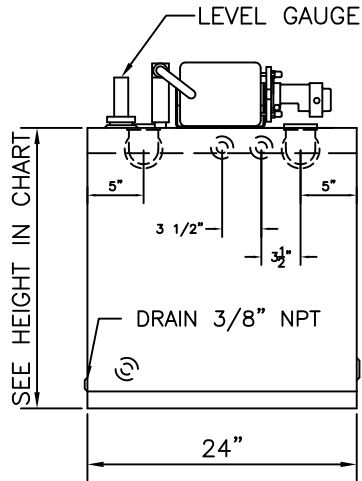
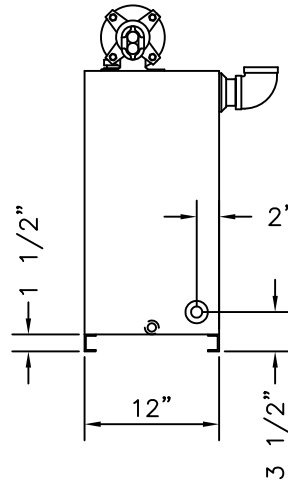


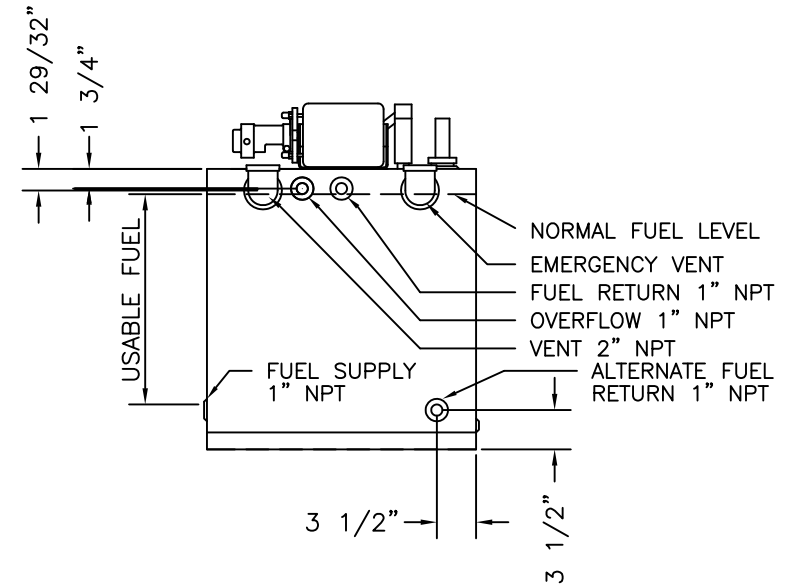
FRONT VIEW



RIGHT SIDE VIEW



REAR VIEW



		MODEL			
		ET10	ET15	ET25	ET30
CAPACITY	GAL.	10	15	25	30
	LIT.	38	57	95	114
WIDTH	IN	24	24	24	24
	CM	61	61	61	61
HEIGHT	IN	14	17.5	25	27.5
	CM	35.6	44.5	63.5	69.9
DEPTH	IN	12	12	12	12
	CM	30.5	30.5	30.5	30.5
WEIGHT	LB	60	62	78	127
	KG	27	29	35	57
EMERGENCY VENT	IN	2	2	2	2



E & C A		
SCALE NONE	APPROVED BY	DRAWN BY TMP
DATE 5-18-95		REVISED
MODEL ET10, 15, 25, 30ULD		
UL DESIGNED TANKS		DRAWING NUMBER 02841

REV	DATE	DESCRIPTION	BY
3	6-13	CHANGED VENT TO 2" NPT	JS
2	4-04	ADDED 30 GALLON TANK	TMP
1	4-04	CORRECTED WEIGHTS	TMP